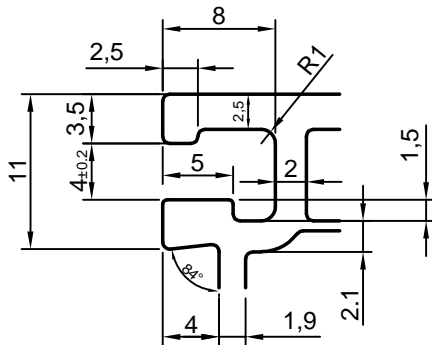
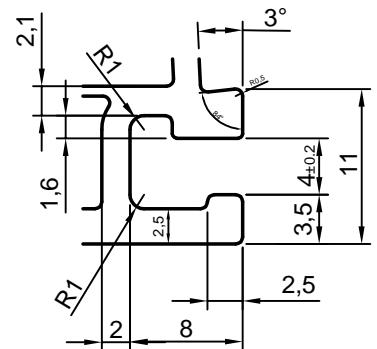
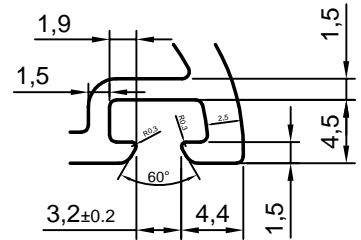
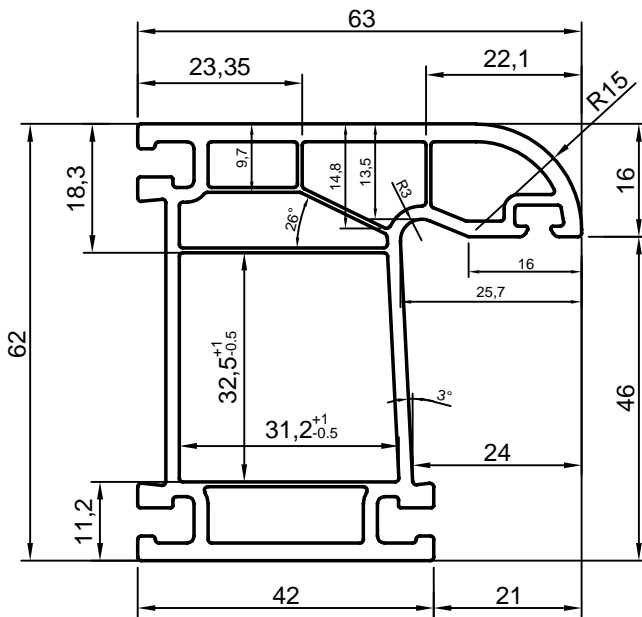




WINDOW & DOOR SYSTEM



uPVC (1.50 g/cm³)

Area: 676 mm²

Weight: 1014 g/m

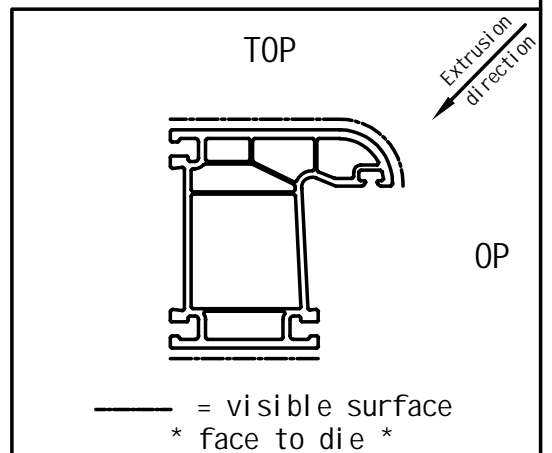
Outer visible wall-thickness: 2.5±0.2 mm

Outer invisible wall-thickness: 1.9±0.2 mm

Inner wall-thickness: 0.7±0.2mm

Unmarked radio: R0.5mm

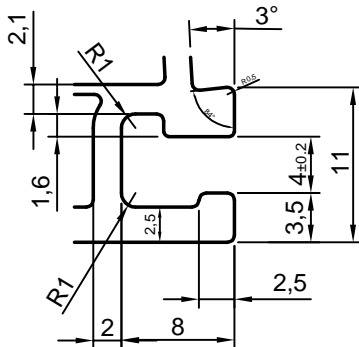
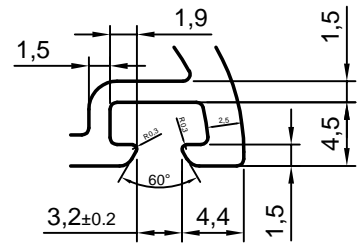
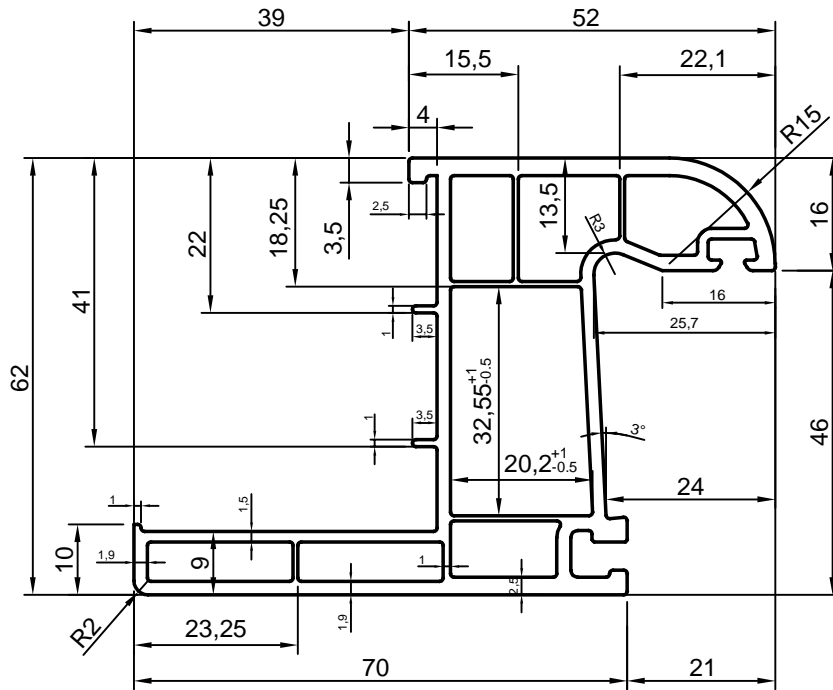
Unspecified Dimensions According to AutoCAD 1:1 dwg



63mm window frame for 62 series

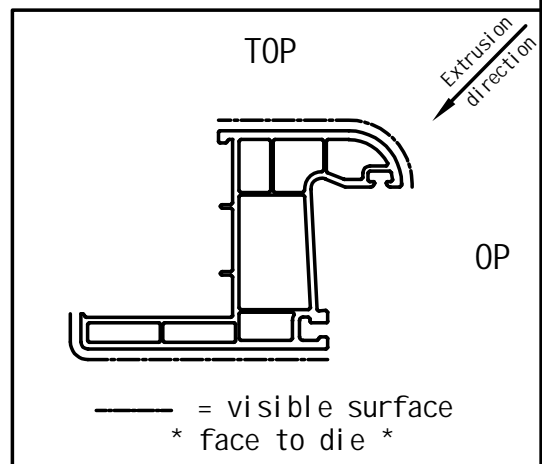


WINDOW & DOOR SYSTEM



uPVC (1.50 g/cm³)
 Area: 700 mm²
 Weight: 1050 g/m

Outer visible wall-thickness: 2.5±0.2 mm
 Outer invisible wall-thickness: 1.9±0.2 mm
 Inner wall-thickness: 0.7±0.2 mm
 Unmarked radio: R0.5mm
 Unspecified Dimensions According to AutoCAD 1:1 dwg



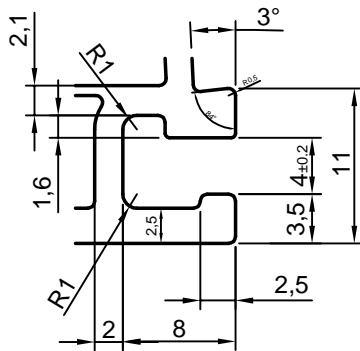
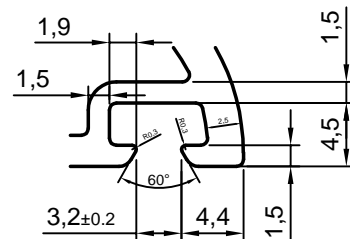
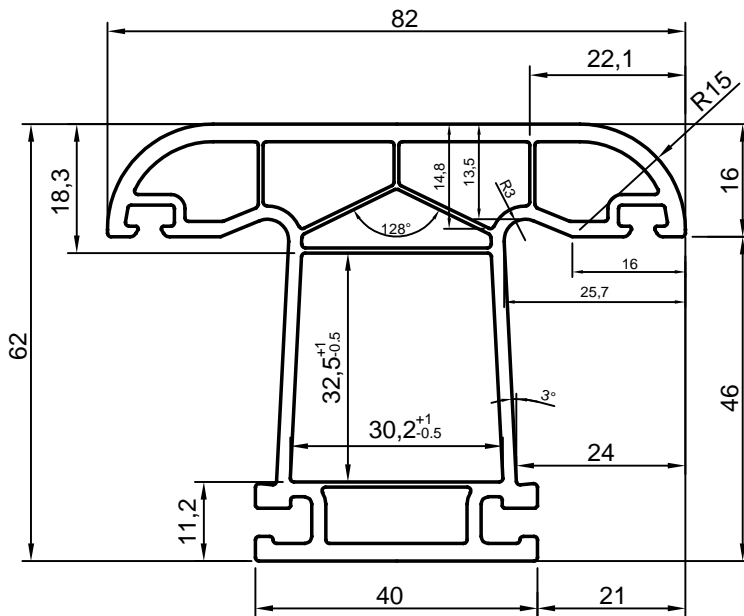
91mm frame with casing for 62 series

Date: Sept. 18th, 2019

Rev: 1



WINDOW & DOOR SYSTEM



uPVC (1.50 g/cm³)

Area: 751 mm²

Weight: 1126 g/m

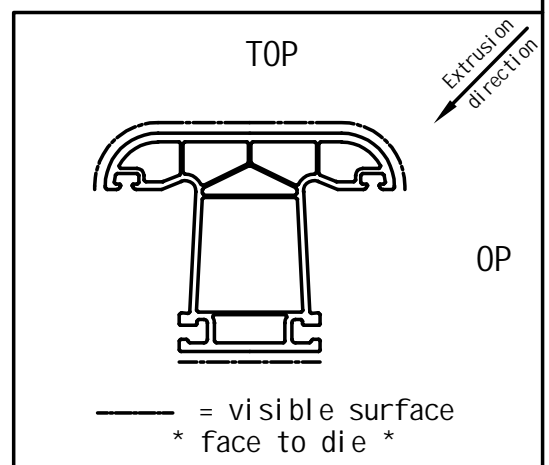
Outer visible wall - thickness: 2.5±0.2 mm

Outer unvisible wall - thickness: 1.9±0.2 mm

Inner wall - thickness: 0.7±0.2 mm

Unmarked radio: R0.5mm

Unspecified Dimensions According to AutoCAD 1:1 dwg



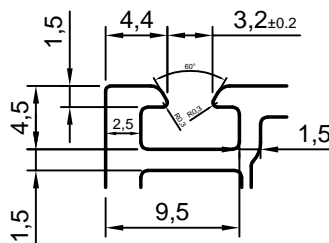
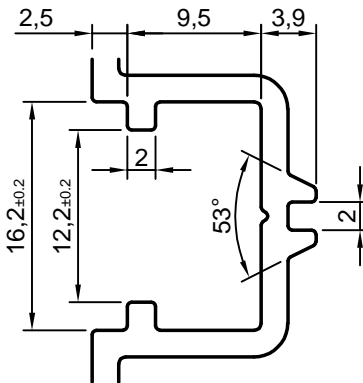
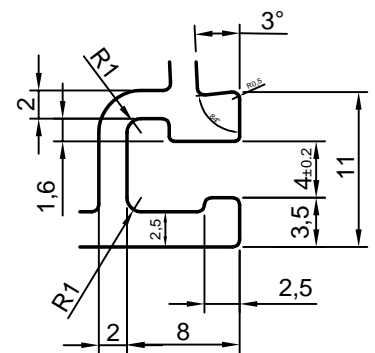
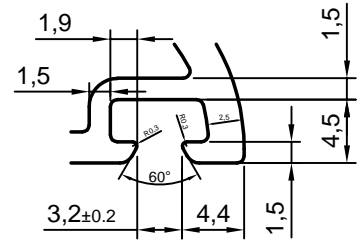
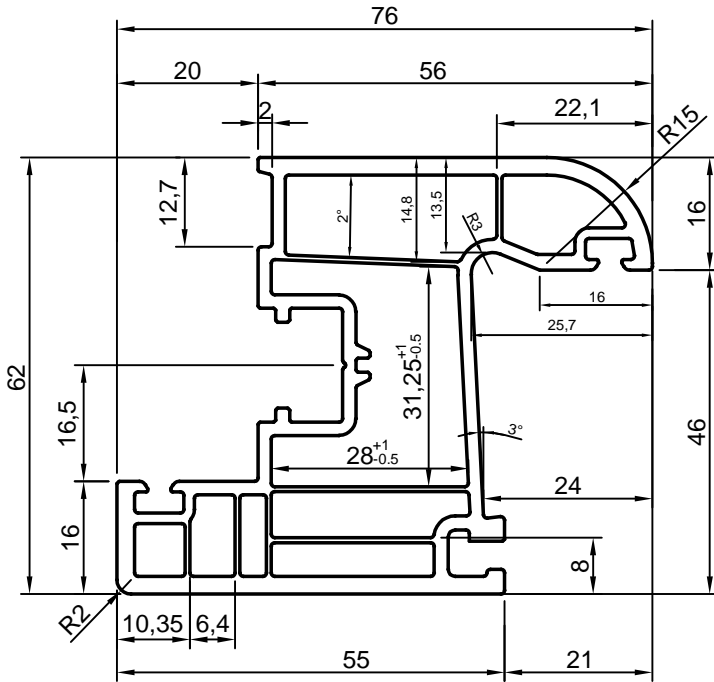
82mm T mullion for 62 series

Date: Sept. 18th, 2019

Rev: 1



WINDOW & DOOR SYSTEM



uPVC (1.50 g/cm³)

Area: 766 mm²

Weight: 1150 g/m

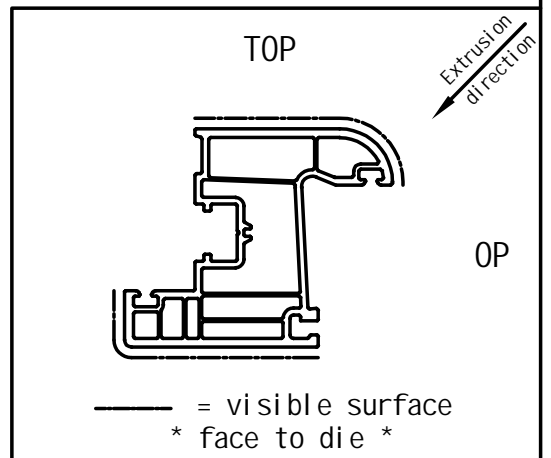
Outer visible wall-thickness: 2.5±0.2 mm

Outer unvisible wall-thickness: 1.9±0.2 mm

Inner wall-thickness: 0.7±0.2mm

Unmarked radii: R0.5mm

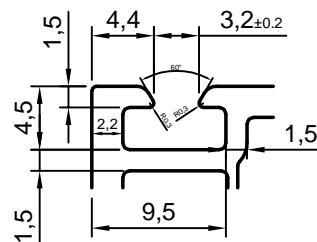
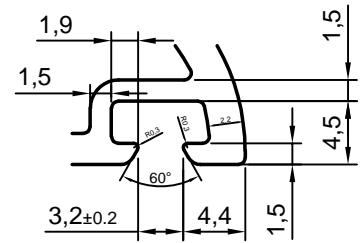
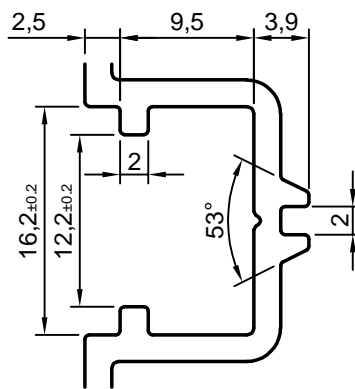
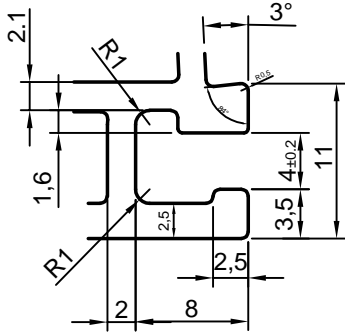
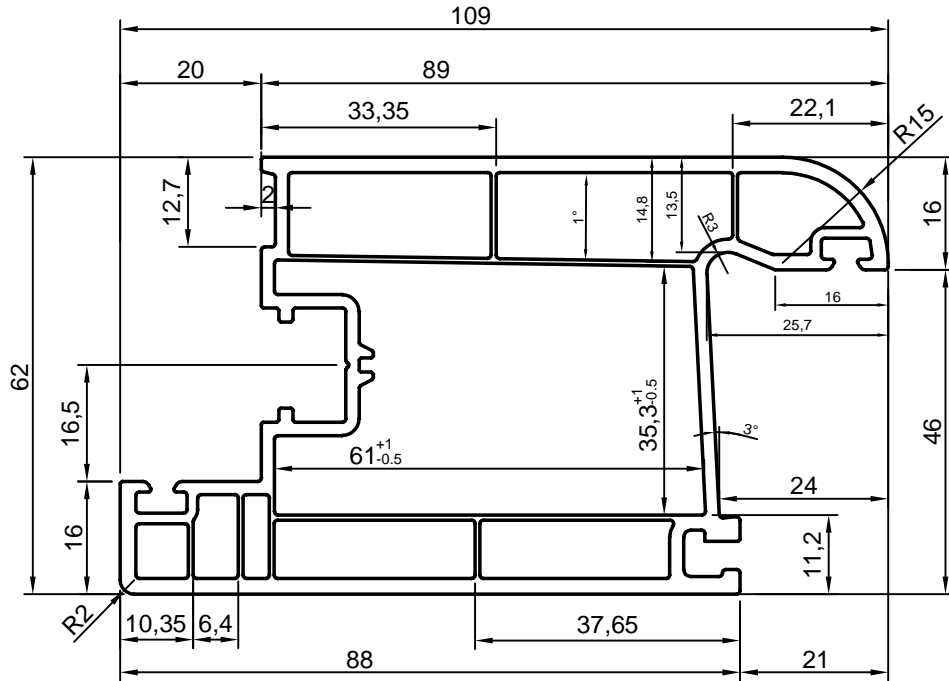
Unspecified Dimensions According to AutoCAD 1:1 dwg



76mm window sash for 62 series



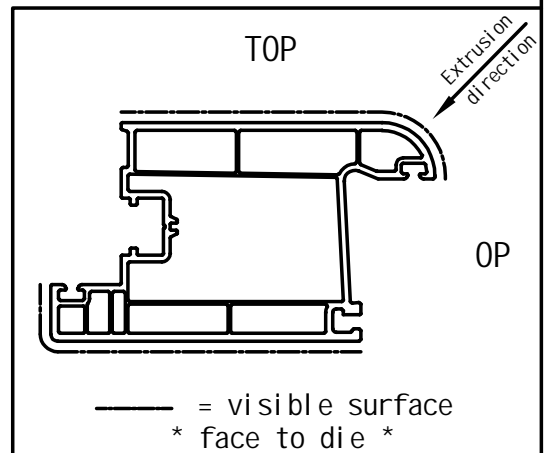
WINDOW & DOOR SYSTEM



uPVC (1.50 g/cm³)
 Area: 922 mm²
 Weight: 1383 g/m

Outer visible wall-thickness: 2.2±0.2 mm
 Outer unvisible wall-thickness: 1.9±0.2 mm
 Inner wall-thickness: 0.7±0.2mm
 Unmarked radio: R0.5mm

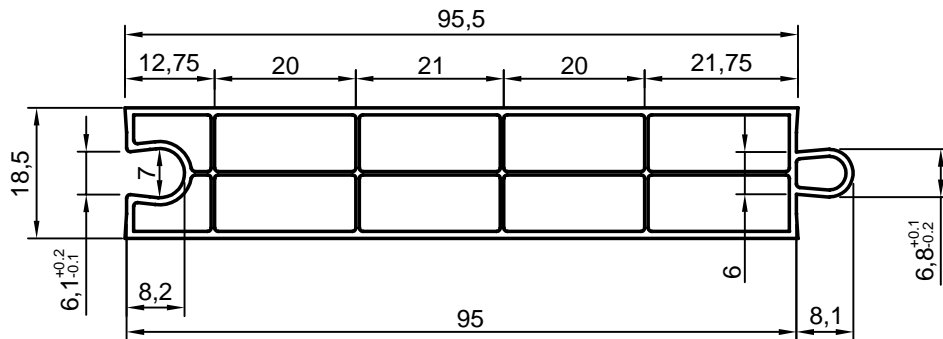
Unspecified Dimensions According to AutoCAD 1:1 dwg



109mm door sash for 62 series



WINDOW & DOOR SYSTEM



uPVC (1.50 g/cm³)

Area: 334 mm²

Weight: 501 g/m

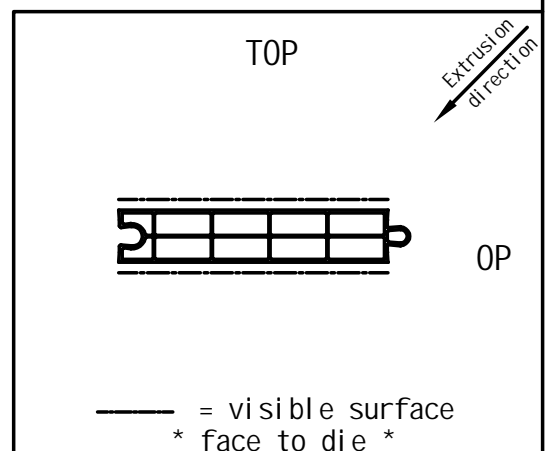
Outer visible wall-thickness: 1.0±0.2 mm

Outer unvisible wall-thickness: 1.0±0.2 mm

Inner wall-thickness: 0.5±0.2mm

Unmarked radio: R0.5mm

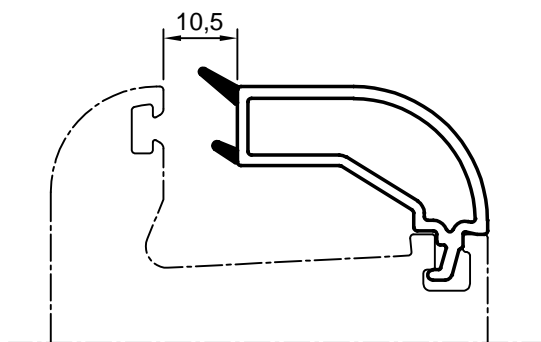
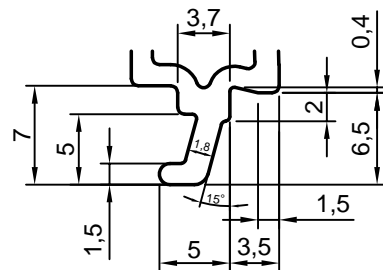
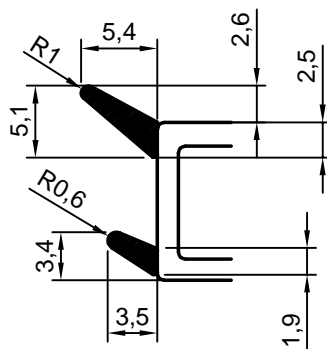
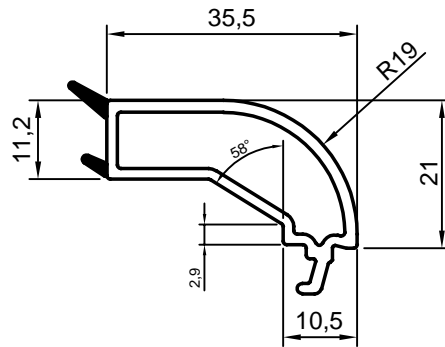
Unspecified Dimensions According to AutoCAD 1:1 dwg



95mm door panel for 62 series



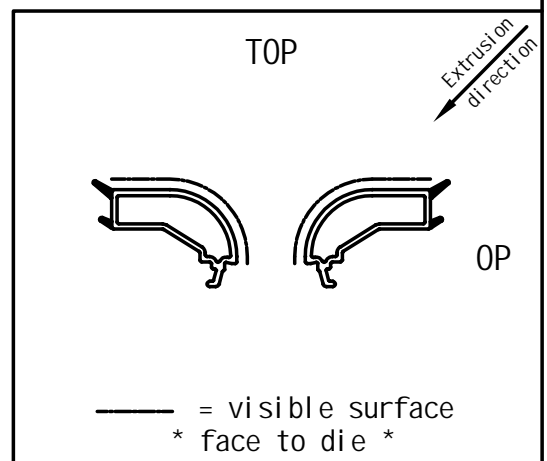
WINDOW & DOOR SYSTEM



uPVC (1.50 g/cm³) co-Extrusion (sPVC 1.30 g/cm³)
 Area: 166 mm² Area: 16 mm²
 Weight: 249 g/m Weight: 21 g/m
 Total Weight: 270 g/m

Outer visible wall-thickness: 1.7±0.2 mm
 Outer unvisible wall-thickness: 1.5±0.2 mm
 Unmarked radio: R0.5mm

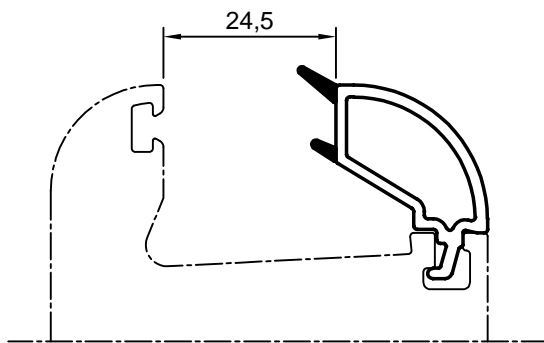
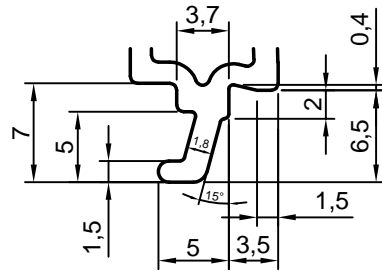
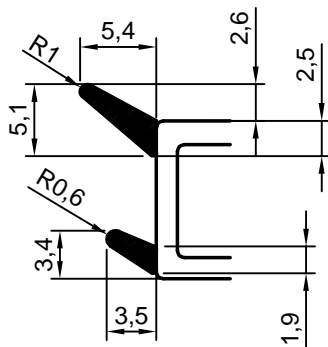
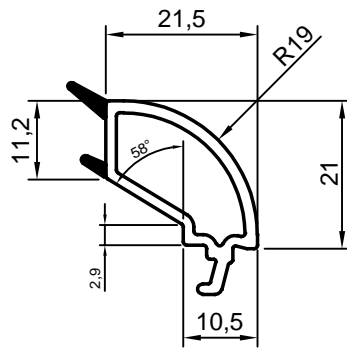
Unspecified Dimensions According to AutoCAD 1:1 dwg



35.5mm single glass bead for 62 series



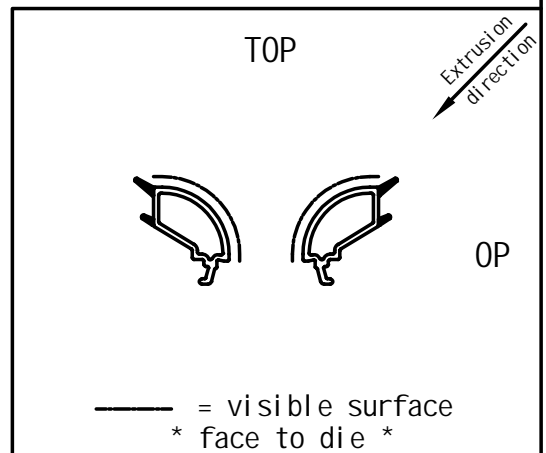
WINDOW & DOOR SYSTEM



uPVC (1.50 g/cm³) co-Extrusion (sPVC 1.30 g/cm³)
 Area: 166 mm² Area: 16 mm²
 Weight: 249 g/m Weight: 21 g/m
 Total Weight: 270 g/m

Outer visible wall-thickness: 1.7±0.2 mm
 Outer unvisible wall-thickness: 1.5±0.2 mm
 Unmarked radio: R0.5mm

Unspecified Dimensions According to AutoCAD 1:1 dwg



35.5mm double glass bead for 62 series